

# INSTALLER AND OWNER GUIDE

Model 813 Verve,  
Model 813 Eurostove  
and  
Model 814 Georgian



Electric Heater

This guide is intended to help you install and care for your Valor electric heater. Please read carefully before installing and using your heater. However, if further information is required, our **Valor Technical Helpline** will be pleased to help.

Telephone **08706 061 065** (National call rates apply in the United Kingdom)

**In the Republic of Ireland call 0044 08706 061 065**

**Important: Please keep your guide in a safe place for future reference**

# INSTALLER AND OWNER GUIDE

## **Safety First.**

Valor fires are CE Approved and designed to meet the appropriate British Standards and Safety Marks.



## **Quality and Excellence.**

At the heart of every Valor fire.

All Valor fires are manufactured to the highest standards of quality and excellence and are manufactured under a BS EN ISO 9001 quality system accepted by the British Standards Institute.



Valor Heating, Erdington, Birmingham B24 9QP  
[www.valor.co.uk](http://www.valor.co.uk)

Because our policy is one of constant development and improvement, details may vary slightly from those given in this publication

# INSTALLER AND OWNER GUIDE

## CUSTOMER CARE

### Thank you for choosing Valor

All Valor heaters are designed to meet the most stringent quality, performance and safety requirements to provide our customers with many years of trouble free service.

This guide aims to improve your understanding and appreciation of your new Valor heater, by providing simple and informative instructions to enable you to install it and to ensure that you benefit from the excellent performance and features it has to offer.

If you require further assistance, the Valor Technical Helpline will be pleased to help.

Please telephone 08706 061065 (local rates apply in the United Kingdom)

FOR OTHER USEFUL TELEPHONE NUMBERS SEE THE BACK COVER

## IMPORTANT SAFETY INSTRUCTIONS

Before continuing any further with the installation of this appliance please read the following guide to manual handling

- The lifting weight of this heater is as below: -

<u>Model</u>	<u>Weight (kG)</u>
Verve	15.9
Eurostove	15.9
Georgian	12.30

- One person should be sufficient to lift the heater. If for any reason this weight is considered too heavy then obtain assistance.
- When lifting always keep your back straight. Bend your legs and not your back.
- Avoid twisting at the waist. It is better to reposition your feet.
- Avoid upper body/top heavy bending. Do not lean forward or sideways whilst handling the heater.
- Always grip with the palm of the hand. Do not use the tips of fingers for support.
- Always keep the fire as close to the body as possible. This will minimise the cantilever action.
- Use gloves to provide additional grip.
- Always use assistance if required.

# INSTALLER AND OWNER GUIDE

## Always

- **Always** install the heater in accordance with the instructions. If in doubt obtain expert advice.
- **Always** make sure the electrical socket is accessible and located adjacent to, but not above the heater.
- **Always** disconnect the heater from the electrical supply before carrying out cleaning, maintenance or replacing the lamp.
- **Always** make sure the heater is firmly secured to the fireplace opening to prevent the heater from being tipped over.
- **Always** use a fireguard when young children and infirm persons can come into contact with the heater.
- **Always** use genuine Valor spares.

## Never

- **Never** leave children unsupervised in a room where the heater is ON and unguarded.
- **Never** obstruct or cover the fan outlet or force items into heater openings.
- **Never** install or use the heater anywhere where water is in use, i.e. Bathrooms, Shower Rooms, Swimming Pools etc.
- **Never** use aerosols or steam cleaners on or around the heater.
- **Never** route the mains supply cable under carpet etc.
- **Never** install the heater close to curtains or combustible materials.
- **Never** use the heater to dry clothes etc.
- **Never** sit or stand on the heater.

# INSTALLATION

## Location

The heater is designed to be free standing on a level surface. When siting please bear the following points in mind

- The heating element is mounted on the underside of the heater. It is important that the air supply to the heating element is not obstructed in any way. The heater can be placed on smooth, flat surfaces. The heater must not be placed on surfaces such as carpet that reduce the gap between the floor level and the underside of the heater.
- If you are placing the heater in an alcove, make sure that 150mm-side clearance is

# INSTALLER AND OWNER GUIDE

maintained (See figure 1).

- The heater must not be located under a fixed electrical socket, the socket must always be accessible in order to disconnect the heater from the electrical supply for maintenance or when replacing a lamp.
- Although the stove complies with all the safety standards, some kinds of floor coverings (e.g. vinyl tiles, synthetic deep pile carpets) may be affected by the hot air from the fan. We suggest in these instances that you place the heater on a shallow plinth that projects 150mm forward of the front feet.
- Keep hearthrugs and other soft furnishings etc. away from the front of the heater. They could obstruct the free flow of hot air from the fan and damage both soft furnishings and heater.

## Installation

- Before connecting the heater to the power supply for the first time, it is necessary to arrange the loose coal on the fuel support inside the heater.
- At the rear of the heater, remove the thumbscrew securing the top panel and slide backward, remove and put to one side (See figure 2).
- Arrange the coal on the support to achieve the desired effect. It is not necessary to use all the supplied coal.
- Refit the top panel by engaging the front edge and slide forward. Secure with the two screws removed previously.
- The socket must always be accessible in order to disconnect the heater from the electrical supply for maintenance or when replacing a lamp.
- **Important! This heater must be earthed.**

The heater is supplied with a 3 pin 13A fused re-wireable plug with 1mm<sup>2</sup>. 3 core mains cable,

L = Brown      N = Blue      E = Green/Yellow

- The mains supply cable must be safely routed from the heater to an electrical socket. If the mains cable is damaged, to avoid a hazard it must be replaced by a Valor

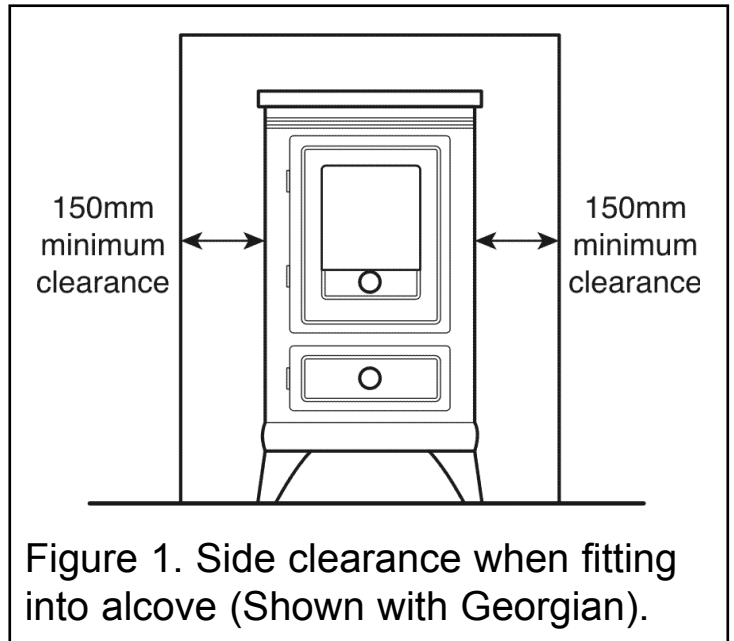


Figure 1. Side clearance when fitting into alcove (Shown with Georgian).

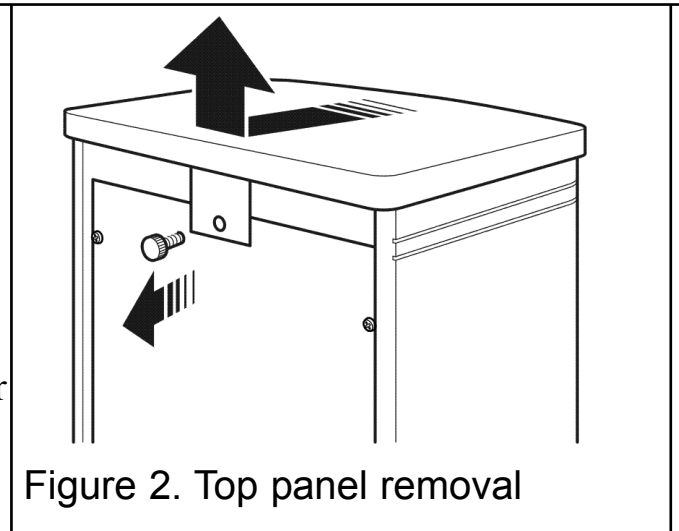


Figure 2. Top panel removal

# INSTALLER AND OWNER GUIDE

authorised service agent, or a similarly qualified person.

All external wiring between the appliance and the electrical supply, including the earth, shall comply with current IEE regulations.

## Operating the Heater

Never cover the heater. There is a risk of fire if it is covered.

The heater is operated by three switches, located below at the bottom left hand side of the heater between the front and rear support leg.

Switch 1 = **O**  Main On - Off

In the On position only the fuel effect operates

Switch 2 = **I** 1kW fan heat setting and fuel effect

Switch 3 = **II** 2kW fan heat setting and fuel effect

The switches are mechanically interlocked, so when switch 1 is turned off, all switches turn off.

Always disconnect the heater from the electricity supply by removing the 3 pin plug and allowing the heater to cool before undertaking maintenance or replacing the lamp.

## Maintaining Your Fire

### Lamp Replacement

The lamp fitted to this heater are long life compact fluorescent type, but due to the indeterminate life span and ease of replacement it is specifically excluded from the guarantee.

#### **To replace a lamp.**

1. To gain access to the lamp remove the thumbscrew located at the top rear of the heater and slide the top panel backward. This will disengage the top panel from the heater body (See figure 2).

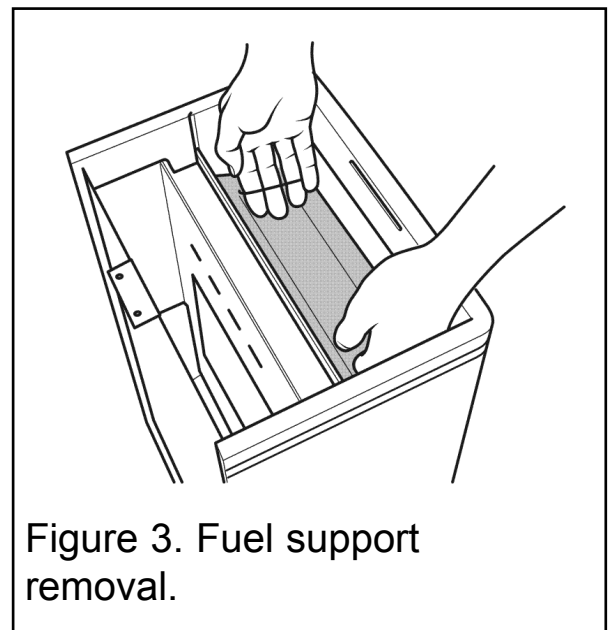


Figure 3. Fuel support removal.

# INSTALLER AND OWNER GUIDE

2. Remove the accessible loose coals and lift out the fuel Support (See figure 3).
3. Slide off the coloured lamp shroud
4. Replace the faulty lamp with an 18 - 20 W (maximum) Edison Screw, Compact Fluorescent Lamp e.g. 'Philips Ecotone' only.

**Do not use ordinary tungsten lamps, they get too hot.**

5. Refit the coloured lamp shroud, relocate the fuel support and replace the loose coals.
6. Place the panel on top of the heater and slide it forward to engage the front edge. Secure using the two screws removed previously.

## **Automatic Cut Out**

A cut-out is fitted to the heating element to prevent damage due to over heating.

- If the cut-out operates due to an obstruction in the airflow, the heater must be turned off and allowed to cool for 15 minutes and the obstruction must be removed before restarting.

## **Care and Cleaning**

- The heater and glass parts need only to be wiped clean with a dry soft cloth, do not use polishes or abrasive materials.

## **Fault Finding**

**No or low light from the fuel effect:** Possibly a lamp failure. Remove the lamp as detailed previously and, if available, check it in a table lamp with Edison screw thread, that is known to work.

**No heat or light:** Check the wall socket by plugging in a known working appliance. If functional, check the 13A fuse in the heater plug. If either fuse or socket is suspected, have them checked by an electrician.

**Light but no heat:** The automatic cut out, may have operated, see section headed 'Automatic Cut Out'.

## **Disposal**

At the end of the products serviceable life it should be disposed of thoughtfully and safely in accordance with local authority regulations. The plug should be removed from the mains cable and the mains cable cut from the heater.

# INSTALLER AND OWNER GUIDE

## Useful Telephone Numbers

To help us quickly help you, please try to have the following information available before you contact us:

- Your Post Code
- Type of Fire
- Model / Name
- Serial Number
- The fault, problem or request

General advice about gas and your gas fire:

**VALOR TECHNICAL HELPLINE 08706 061 065.**

To report faults or arrange for your fire to be serviced:

**VALOR SERVICE 08706 090 081.**

For sales or product information:

**VALOR SALES 08706 061 067.**

For spares inquiries

**Spare parts are available nationwide via the ‘interpart stockist network’. For your local stockist consult Yellow pages under ‘Central Heating’.**

CALLERS IN THE REPUBLIC OF IRELAND

**Call 0044 08706 061 065**